

# Nasopharyngeal Swab & Oropharyngeal Swab



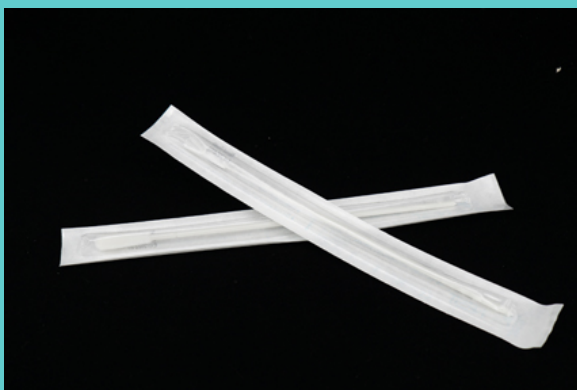
## Advantage

Open the links to watch the video which our products compare with others.

<https://youtu.be/Jyho1NpnHmw>

Nest nylon flocked swabs provide optimum specimen collection because of their ability to collect more specimen at the collection site and to more rapidly release the entire sample specimen.

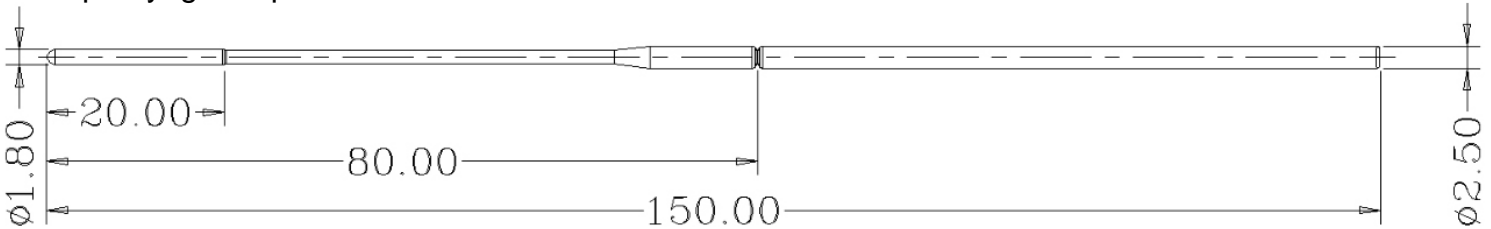
- Materials: ABS plastic & nylon
- Non-toxic
- Individually wrapped and sterile
- CE, FDA, ISO certified



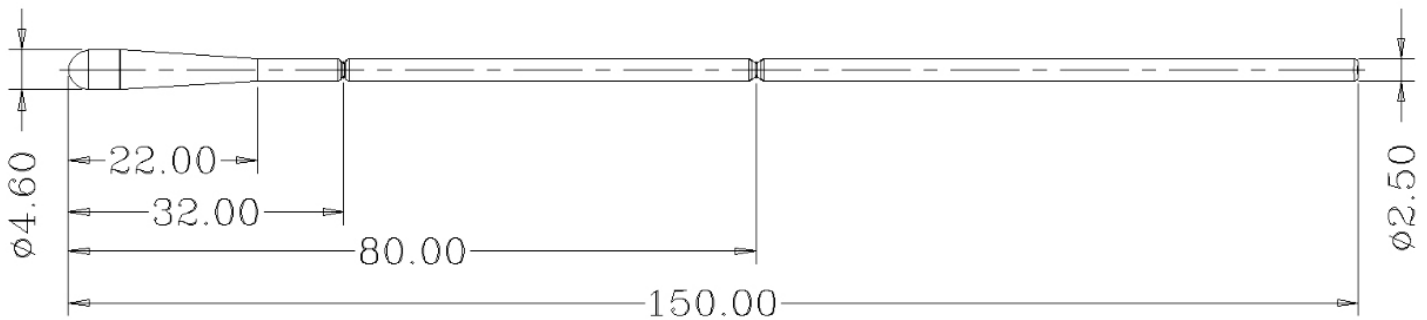
Cat.No.	Description	/Pk	/Cs
202003	Oropharyngeal Specimen Collection Swab, Individually Wrapped, Sterile	100	5000
202004	Nasopharyngeal Specimen Collection Swab, Individually Wrapped, Sterile	100	5000

## ▼▲ Technical Drawing

Nasopharyngeal Specimen Collection Swab



Oropharyngeal Specimen Collection Swab



## ▼▲ Operating Instruction

### Nasopharyngeal Specimen Collection Swab:

- With the patient seated, if possible, tilt the head back 70 degrees.
- Gently insert swab into the nostril along the septum floor of the nose extending straight back until the posterior nasopharynx is reached (distance from nostrils to external opening of ear).
- Rotate the swab several times while the swab is in contact with the nasopharyngeal wall.



### Oropharyngeal Specimen Collection Swab:

- With the patient seated, if possible, tilt the head back 70 degrees.
- Gently insert swab into back of the throat and tonsillar area.
- Rub the swab over both tonsillar pillars and the posterior oropharynx, avoid touching the tongue, teeth and gums.

